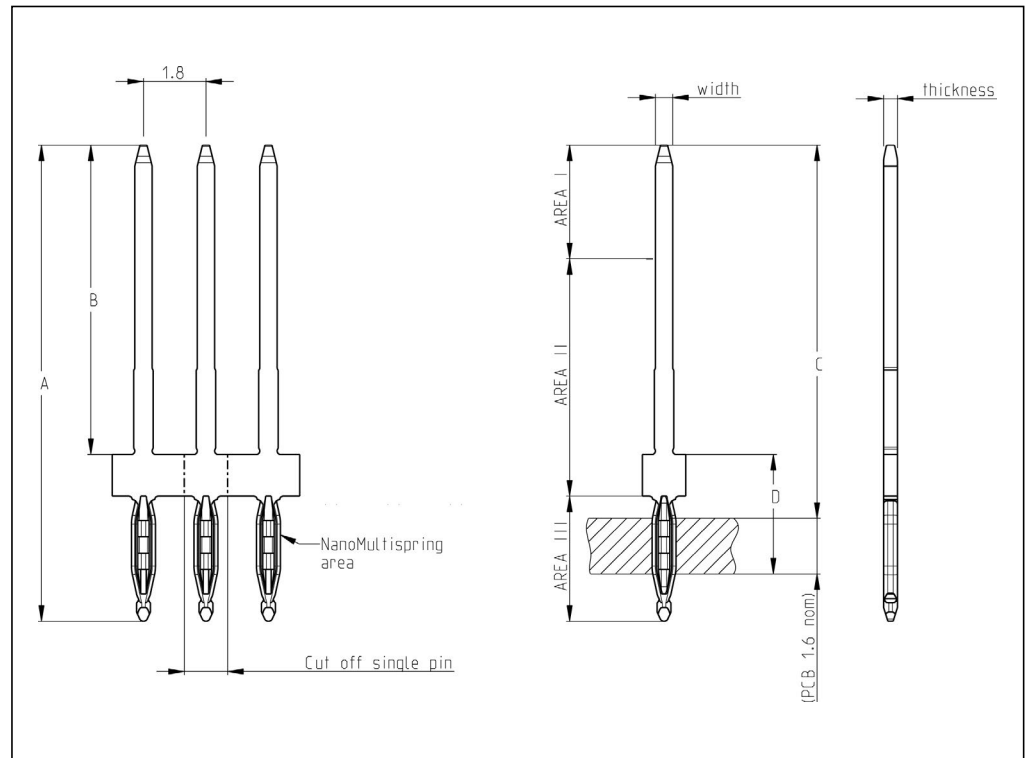




**NanoMultispring Press-Fit Pin for NanoMQS Contacts**

**Technical Features**

- Press-fit zone**  
NanoMultispring
- Material thickness**  
0.4 mm
- Total Temperature Range**  
-40°C ... +125°C
- Insertion Force**  
Max 90 N
- Push-out Force**  
Min 20 N
- Current Carrying Capacity**  
up to 5 Ampere  
(@ 80 °C ambient temperature)



**Product Drawing**  
2282347

**Product Requirements**  
IEC 60352-5 / TE 108-90836

**Product Specification**  
108-90836

**NanoMultispring Press-Fit Pin for NanoMQS Contacts**

Dimensions Area I, Contact Tab Area (mm) Width x Thickness	Dimensions (mm)				Nominal PCB Hole Diameter (mm)	Material	Finish Area I, Contact Tab Area	Finish Area III, Press-Fit Area	Part Number	Mating Receptacle Contact	Conversion Kit for P100/P300/P350 *)
	A	B	C	D							
0.50 x 0.40	13.70	8.90	12.25	3.40	0.6	CuSn6	Sn	Sn	2282347-1	1-1703930-1 2-1703930-1 2177908-1 2177909-1	7-*700-9
0.50 x 0.40	12.80	8.00	11.35	3.40	0.6	CuSn6	Sn	Sn	2282347-2	1-1703930-1 2-1703930-1 2177908-1 2177909-1	0-*705-8

\*) For dash numbers please contact TE Application Tooling